

PREPPING FRAME INSTRUCTIONS

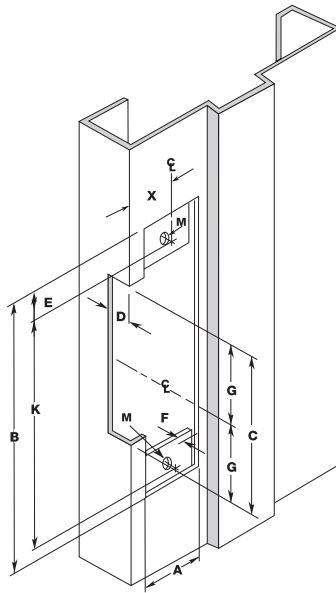


ES96F

Electric Strikes

Frame Prep Dimensions

MEASUREMENT	FRACTIONAL INCHES	DECIMAL INCHES	METRIC mm
A	1-1/4"	1.250	31.75
B	4-7/8"	4.875	123.83
C	3-3/8"	3.375	85.73
D	1-19/32"	1.590	40.40
E	3/8"	0.375	9.53
F	1/8"*	0.125*	3.18*
G	1-11/16"	1.688	42.86
X	Vertical Centre Line of Door Lock and Mounting Face Plate**		
K	4-1/8"	4.125	104.78
M	12-24	N/A	N/A



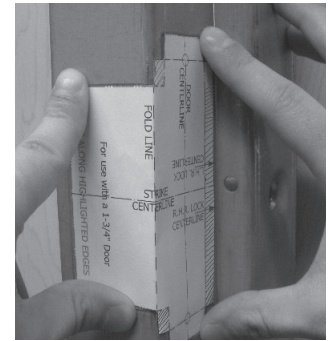
NOTE: Specifications subject to change without notice.

* **Dimension F** is measured from face of mounting tab to face of frame.

** **Dimension X** on the drawing is determined by the vertical centerline of the door. If the latch incorporates a deadlocking pin additional steps will be necessary to ensure proper operation of the deadlocking pin. Measure the thickness of the deadlocking pin and add this thickness to Dimension X to relocate the vertical centerline an appropriate distance on the frame.

For Cutting ANSI Prep Frames

1. Place the folded template square to the frame. Horizontally align holes marked on the template with the mounting holes in frame.



2. Peel adhesive backing and paste the folded template square to the frame.



3. Carefully cut the frame inside the un-shaded area marked on the template. Install strike per installation instructions 08281280.

